

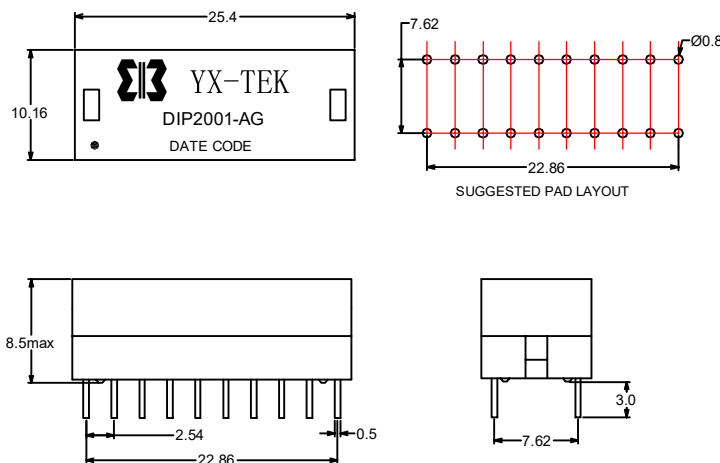
PRODUCT SPEC

10/100 BASE-T DUAL PORT DIP TRANSFORMER MODULE

- Designed To Meet IEEE 802.3 & ANSI X 3.263 Standards.
- Lead-Free&Designed To Meet RoHS Requirement.
- 10/100 Base-T Through-Hole Type
- Operating temperature range: 0 °C to + 70 °C .

Electrical Specifications @25°C										
Part Number	OCL(uH Min) @100KHz,0.1V	Turns Ratio (±5%)	Insertion Loss (dB Max)	Return Loss (dB Min)			Cross talk (dB Min)		CMRR (dB Min)	HI-POT (Vrms)
				0.5-100MHz	0.5-30MHz	30.1-60MHz	60.1-80MHz	0.5-40MHz		
YXDIP2001-AG	350	1CT:1CT	-1.1	-18	-18+20*log(f/30)	-12	-35	-33+20*log(f/50)	-30	1200

MECHANICAL



Unless otherwise specified all tolerances are:±0.25 in mm

SCHEMATICS

