



Yx-TEK
亚湘科技

APPROVED SHEET

CUSTOMER: _____

CUSTOMER P/N: _____

P/N: DIP1604AG

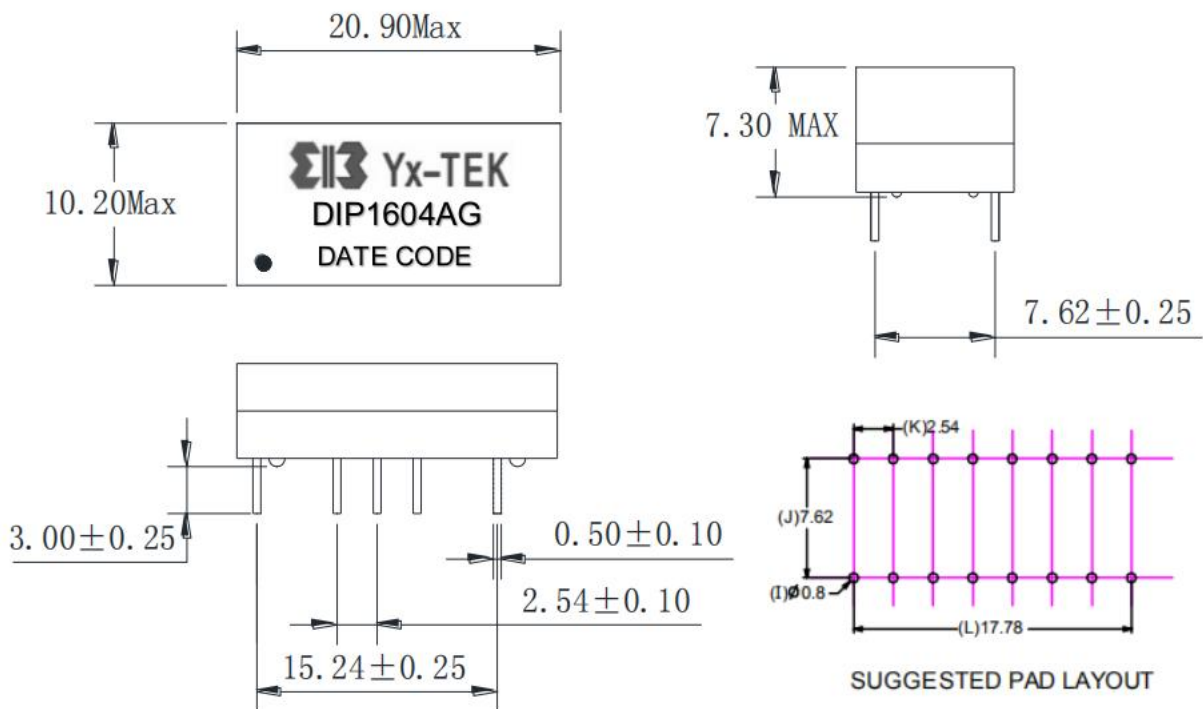
REV: R0

DESCRIPTION: 10/100 BASE-T

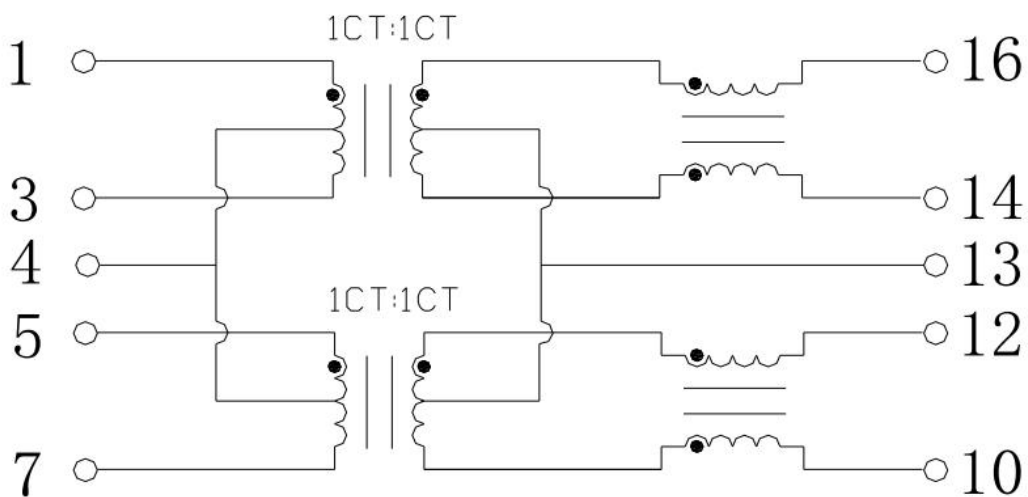
CUSTOMER APPROVAL		COMPANY APPROVAL	
			
INSPECTED BY:		ISSUED BY:	Yang.Z
CHECKED BY:		CHECKED BY:	An.L
APPROVED BY:		APPROVED BY:	Mcdull
APPROVED DATE:		ISSUED DATE:	Feb.18.2023

Please Return One Copy to Us After Approved,TKS! (承认后请回寄一份,谢谢)

A: MECHANICAL



B: SCHEMATICS



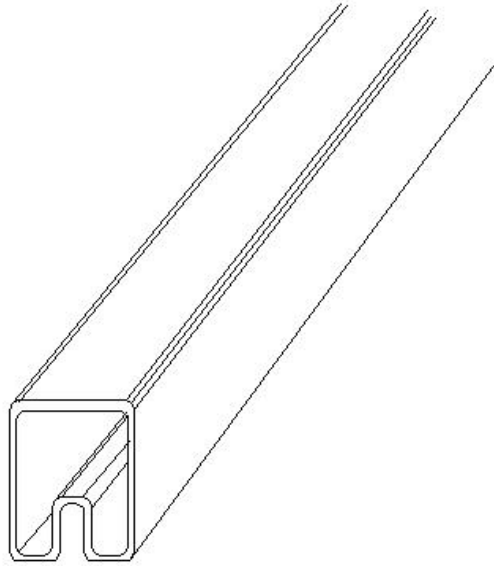
DESCRIPTION	YX P/N	SPEC NO.	REV: R0
10/100 BASE-T	DIP1604AG		PAGE: 1/3

C. ELECTRICAL SPECIFICATIONS @25°C

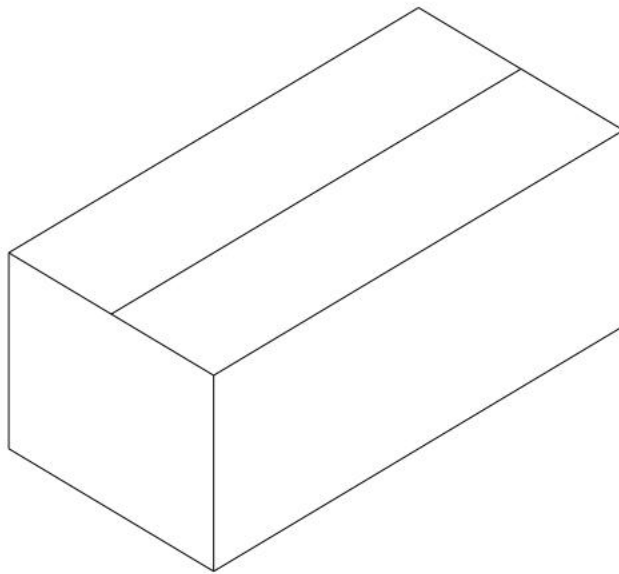
1. Designed To Meet IEEE 802.3 Requirement.
2. OCL: 350 uH Min @ 100 KHz, 0.1V with 8mA DC Bias.
3. Leakage Inductance: 0.5uH Max @ 100KHz, 0.1V
4. DCR: 1200mΩ Max
5. Turns Ratio: 1CT:1CT±5%
6. Insertion Loss: -1.1 dB Max @ 0.5-100 MHz
7. Return Loss: -18 dB Min @ 0.5-30 MHz
-18+20*log(f/30) dB Min @ 30.1-60 MHz
-12 dB Min @ 60.1-80 MHz
8. Cross Talk: -35 dB Min @ 0.5-40 MHz
-33+20*log(f/50) @40.1-100 MHz
9. Common Mode Rejection: -30 dB Min @ 0.5-100 MHz
10. Isolation Hi-pot: 1500VAC 1mA 60S
11. Operating temperature: 0°C to +70°C
12. Storage temperature -20°C to +125°C

DESCRIPTION	YX P/N	SPEC NO.	REV: R0
10/100 BASE-T	DIP1604AG		PAGE: 2/3

D. PACKAGE INFORMATION



One Tube =25Pcs



Package Quantity

One Tube =25Pcs

One Export Carton=6000Pcs

DESCRIPTION	YX P/N	SPEC NO.	REV: R0
10/100 BASE-T	DIP1604AG		PAGE: 3/3