

APPROVED SHEET

CUSTOMER: _____

CUSTOMER P/N: _____

P/N: SMD1605PG

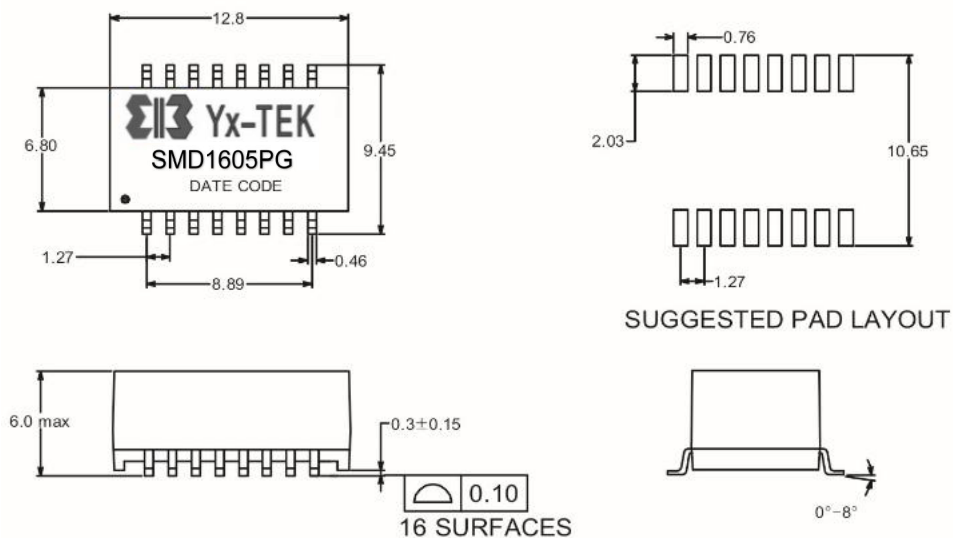
REV: R3

DESCRIPTION: 10/100 BASE-TX

CUSTOMER APPROVAL		COMPANY APPROVAL			
					
				INSPECTED BY:	ISSUED BY: Yang.Z
				CHECKED BY:	CHECKED BY: An.L
				APPROVED BY:	APPROVED BY: Mcdull
				APPROVED DATE:	ISSUED DATE: March 14, 2023

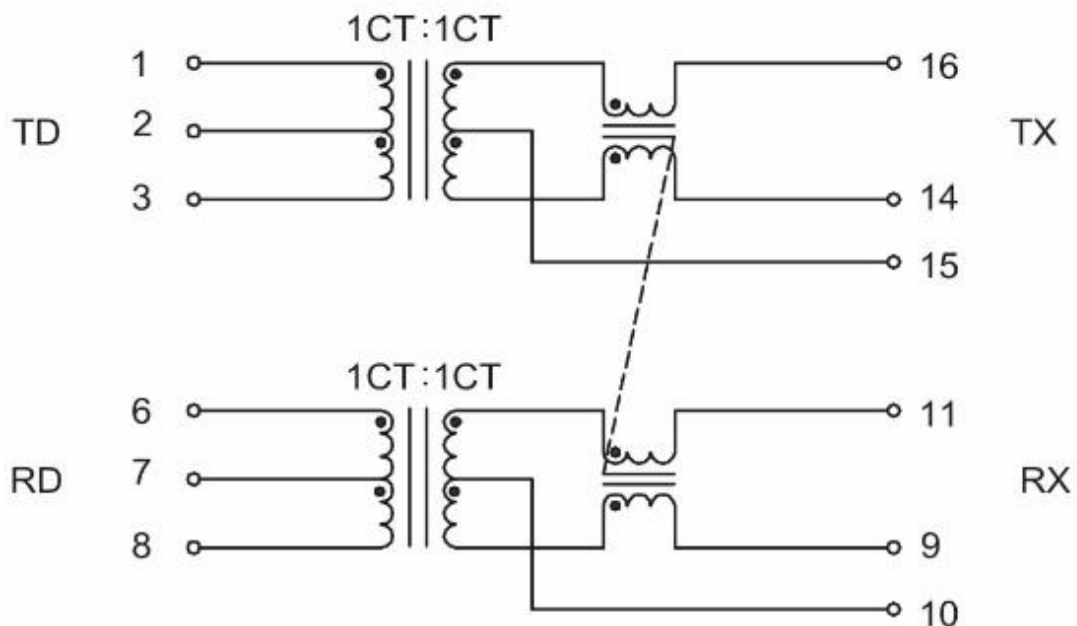
Please Return One Copy to Us After Approved,TKS! (承认后请回寄一份,谢谢)

A: MECHANICAL



Unless otherwise specified all tolerances are: ± 0.25 in mm

B: SCHEMATICS



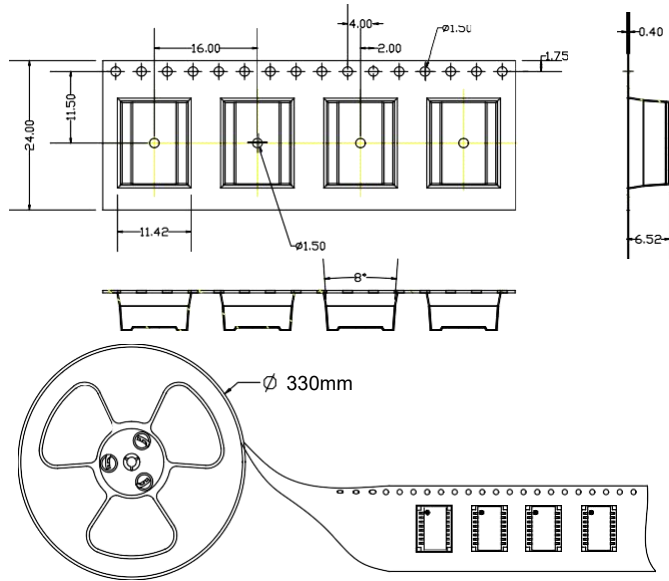
DESCRIPTION	YX P/N	SPEC NO.	REV: R3
10/100 BASE-TX	SMD1605PG		PAGE: 1/3

C. ELECTRICAL SPECIFICATIONS @25°C

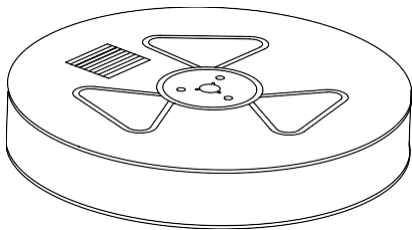
1. Meet IEEE 802.3at & ANSI X 3.263 Standards. The parts are PoE+ enable with 720mA DC current.
2. OCL: 350 uH Min @ 100 KHz, 0.1V with 8mA DC Bias.
3. Leakage Inductance: 0.5uH Max @ 100KHz, 0.1V
4. DCR: 1400mΩ Max
5. Turns Ratio: 1CT:1CT±5%
6. Insertion Loss: -1.1 dB Max @ 1-100 MHz
7. Return Loss: -18 dB Min @ 1-30 MHz
 - 14.4 dB Min @ 40 MHz
 - 13.1 dB Min @ 50 MHz
 - 12 dB Min @ 60-80 MHz
8. Cross Talk: -30 dB Min @ 1-100 MHz
9. Common Mode Rejection: -30 dB Min @ 1-100 MHz
10. Isolation Hipot: 1500VAC 1mA 60S
11. Operating temperature :-40°C to +85°C
12. Storage temperature -20°C to +105°C

DESCRIPTION	YX P/N	SPEC NO.	REV: R3
10/100 BASE-TX	SMD1605PG		PAGE: 2/3

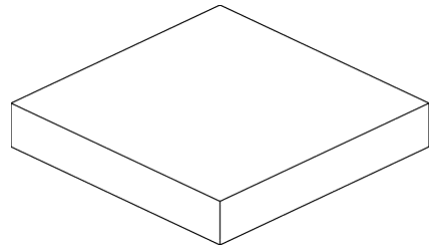
D. PACKAGE INFORMATION



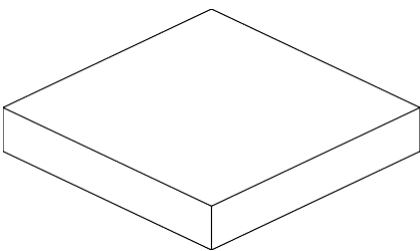
备注: 每卷载带前空15PCS格,后空20PCS格(靠近卷轴端为前)



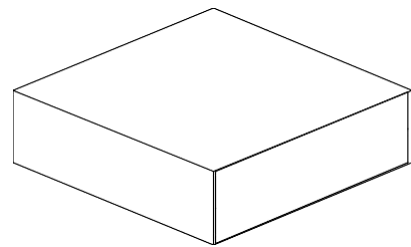
reel



Inner Carton



Inner Carton



Export Carton

Package Quantity

One Reel=600Pcs

One Inner Carton=600*2=1200Pcs

One Export Carton=600*6=3600Pcs

DESCRIPTION	YX P/N	SPEC NO.	REV: R3
10/100 BASE-TX	SMD1605PG		PAGE: 3/3