

Model NO.	H2408-10G	Model Name	10GBASE-Tx Magnetics Module
Part NO.	H2408-10G	SIZE	

## Specification and Dimension

### 10GBASE-Tx Magnetics Module

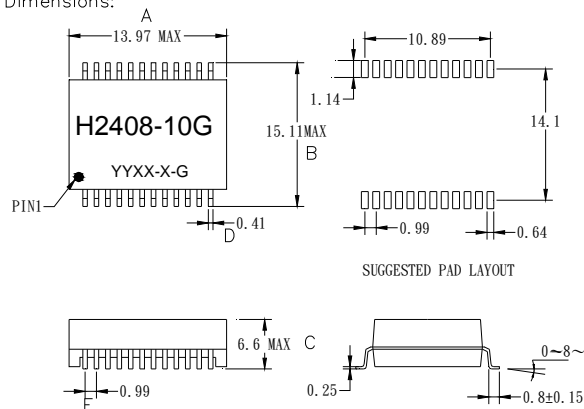
- Meets IEEE 802.3 standard
- RoHS Compliant
- Single port configuration
- Design for 10Gbase-Tx transmission over UTP-5 cable
- Operating Temperature: 0°C~70°C

### Electrical Specification @25°C

OCL:	200uH Min. @100KHz/0.1V with 0mA DC Bias			
Hi-POT :	1500VAC			
Turn Ratio:	1CT:1CT±3%			
Insertion Loss:	100K-10MHz		100KHz-650MHz	
	-1.0dB Max.		-3.0dB Max.	
Return Loss(load D+toD-)	1-40MHz	40-400MHz	400-500MHz	500-600MHz
	-18dB Min.	-10dB Min.	-8dB Min.	-5dB Min.
Return Loss(load X+toX-)	1-40MHz	40-400MHz	400-500MHz	
	-18dB Min.	-5dB Min.	-4dB Min.	
D.C.M.R :	1-250MHz	250-500MHz		
	-30dB Min.	-22dB Min.		
Cross Talk :	1-100MHz	100-500MHz		
	-40dB Min.	-30dB Min.		

### Dimensions

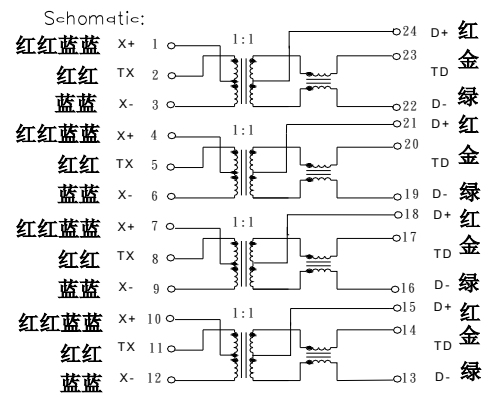
Dimensions:



Dimensions: mm

Unless otherwise specified, all tolerances are ±0.25

### Schematic



胶壳用SMD2408壳子, 线圈用2487B线圈

