



Yx-TEK
亚湘科技

APPROVED SHEET

CUSTOMER: _____

CUSTOMER P/N: _____

P/N: DIP2401-AG

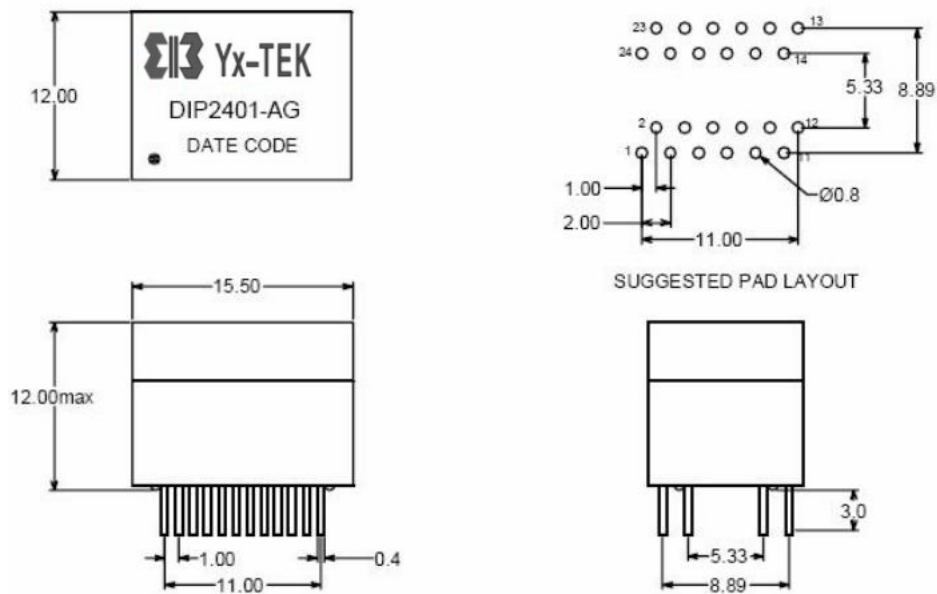
REV: R0

DESCRIPTION: 10/100/1000 BASE-TX

CUSTOMER APPROVAL		COMPANY APPROVAL	
			
INSPECTED BY:		ISSUED BY:	Yang.Z
CHECKED BY:		CHECKED BY:	An.L
APPROVED BY:		APPROVED BY:	Mcdull
APPROVED DATE:		ISSUED DATE:	Dec.20.2020

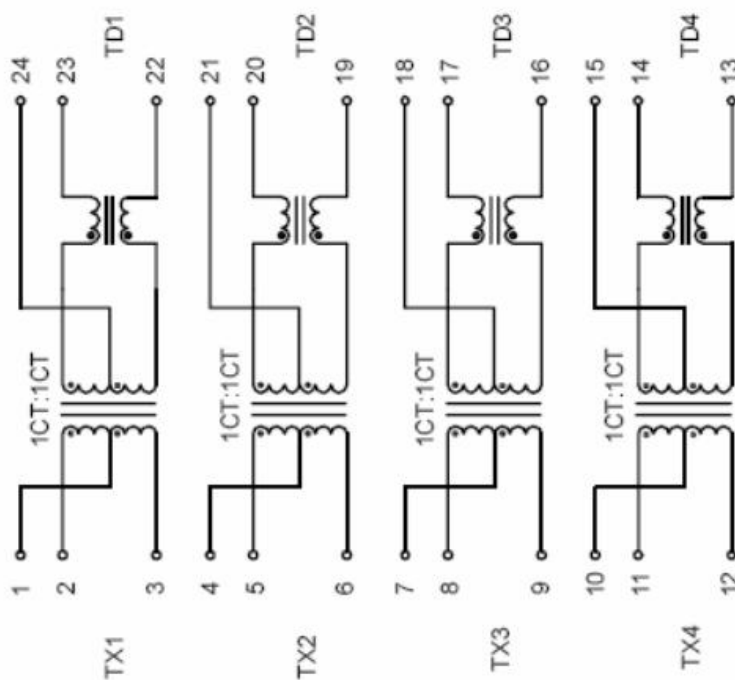
Please Return One Copy to Us After Approved,TKS! (承认后请回寄一份,谢谢)

A: MECHANICAL



Unless otherwise specified all tolerances are: ± 0.25 in mm

B: SCHEMATICS



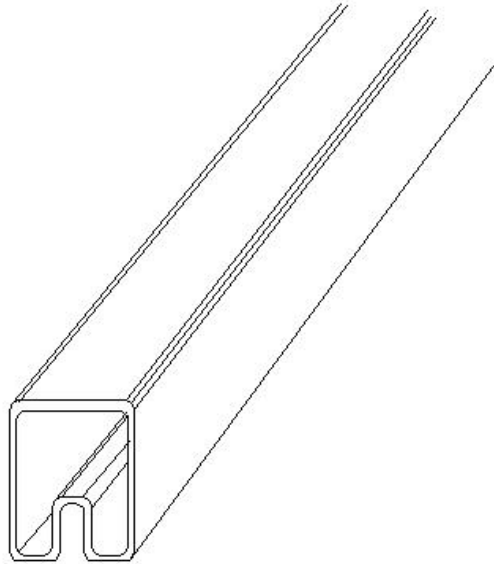
DESCRIPTION	YX P/N	SPEC NO.	REV: R0
10/100/1000 BASE-TX	DIP2401-AG		PAGE: 1/3

C. ELECTRICAL SPECIFICATIONS @25°C

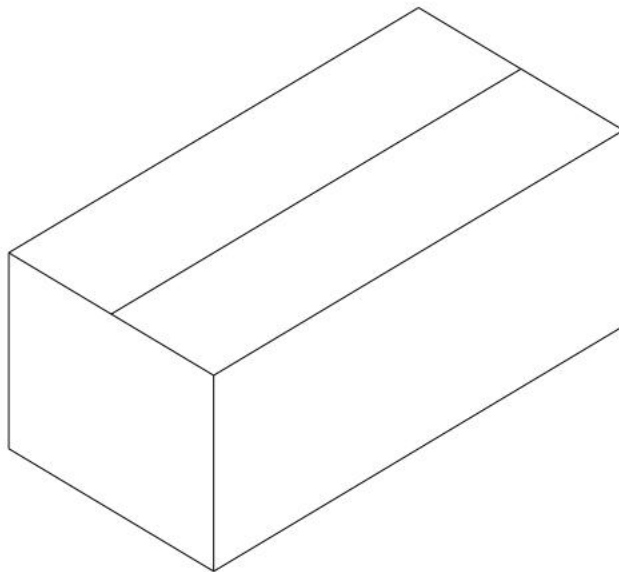
1. OCL: 350 uH Min @ 100 KHz, 0.1V with 8mA DC BIAS
2. Leakage Inductance: 0.5uH Max @ 100KHz, 0.1V
3. DCR: 1400mΩ Max
4. Turns Ratio: 1CT:1CT±5%
5. Insertion Loss: -1.1 dB Max @ 0.5-100 MHz
6. Return Loss: -18 dB Min @ 0.5-40 MHz
-12+20*log(f/80) dB Min @ 40.1-100 MHz
7. Cross Talk: -35 dB Min @ 0.5-40 MHz
-33+20*log(f/50) @40.1-100 MHz
8. Common Mode Rejection: -30 dB Min @ 0.5-100 MHz
9. Isolation Hipot: 1500VAC 1mA 60S
7. Operating temperature -40°C to +85°C
8. Storage temperature -25°C to +125°C

DESCRIPTION	YX P/N	SPEC NO.	REV: R0
10/100/1000 BASE-TX	DIP2401-AG		PAGE: 2/3

D. PACKAGE INFORMATION



One Tube =32Pcs



Package Quantity

One Tube =32Pcs

One Export Carton=5120Pcs

DESCRIPTION	YX P/N	SPEC NO.	REV: R0
10/100/1000 BASE-TX	DIP2401-AG		PAGE: 3/3