



Yx-TEK  
亚湘科技

# APPROVED SHEET

CUSTOMER: \_\_\_\_\_

CUSTOMER P/N: \_\_\_\_\_

P/N: SMD4802G

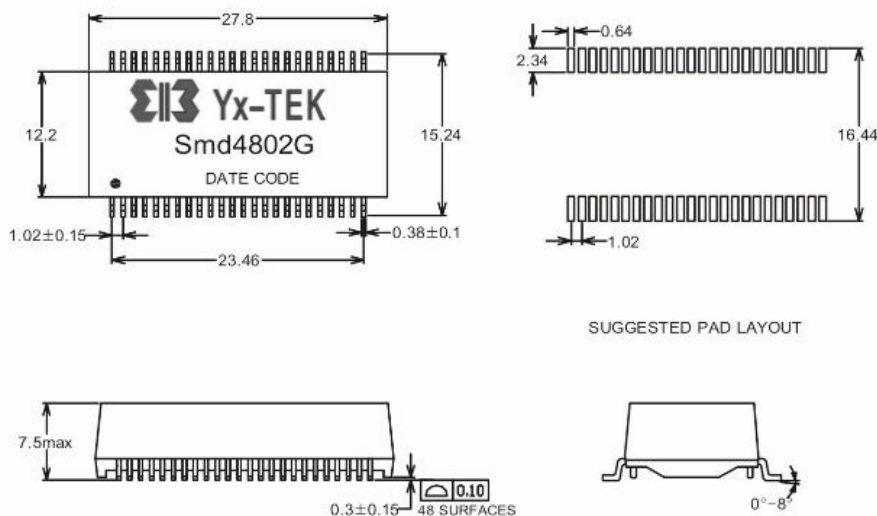
REV: R0

DESCRIPTION: 10/100/1000 BASE-TX

CUSTOMER APPROVAL		COMPANY APPROVAL	
			
INSPECTED BY:		ISSUED BY:	Yang.Z
CHECKED BY:		CHECKED BY:	An.L
APPROVED BY:		APPROVED BY:	Mcdull
APPROVED DATE:		ISSUED DATE:	Dec.20.2020

Please Return One Copy to Us After Approved,TKS! (承认后请回寄一份,谢谢)

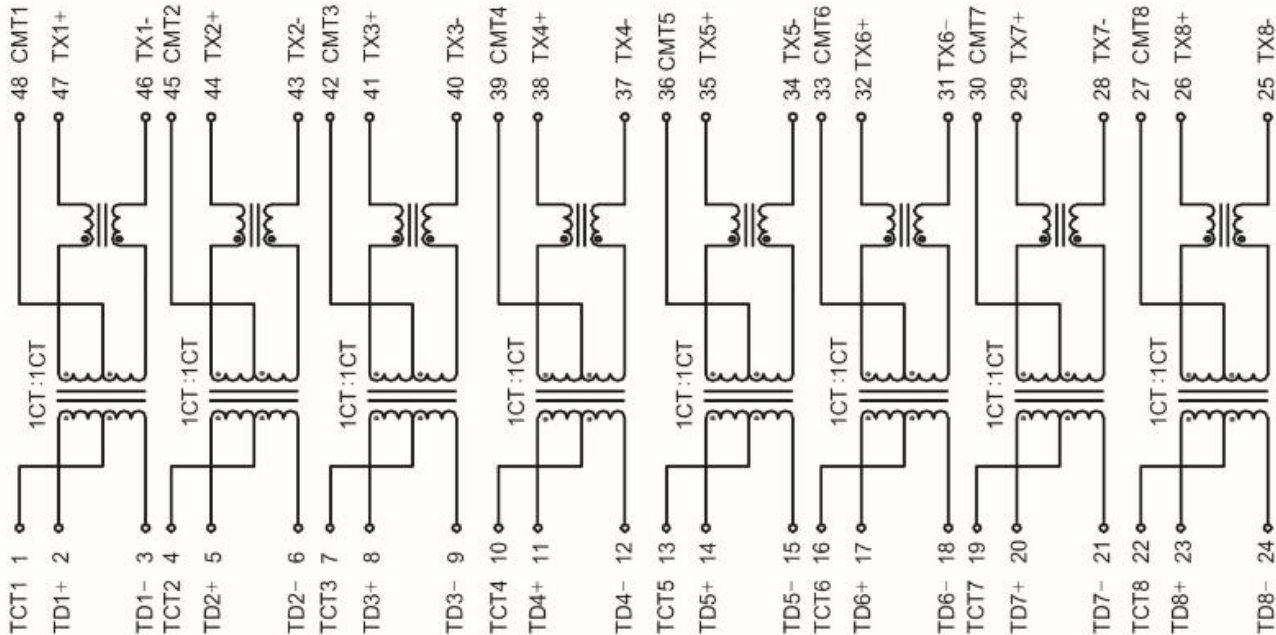
## A: MECHANICAL



SUGGESTED PAD LAYOUT

Unless otherwise specified all tolerances are:  $\pm 0.25$  in mm

## B: SCHEMATICS



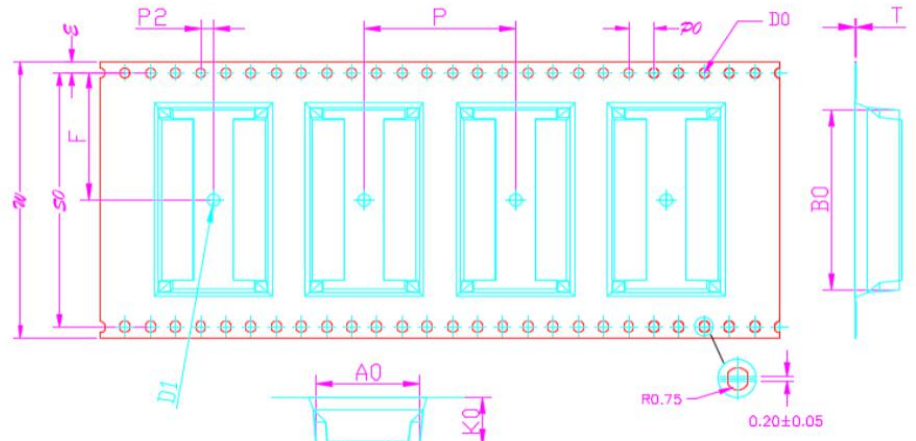
DESCRIPTION	YX P/N	SPEC NO.	REV: R0
10/100/1000 BASE-TX	SMD4802G		PAGE: 1/3

### C. ELECTRICAL SPECIFICATIONS @25°C

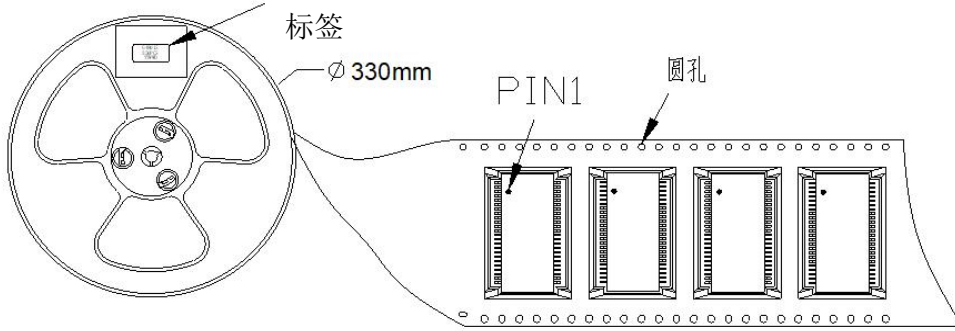
1. OCL: 350 uH Min @ 100 KHz, 0.1V with 8mA DC BIAS
2. Leakage Inductance: 0.5uH Max @ 100KHz, 0.1V
3. DCR: 1400mΩ Max
4. Turns Ratio: 1CT:1CT±5%
5. Insertion Loss: -1.1 dB Max @ 0.5-100 MHz
6. Return Loss: -18 dB Min @ 0.5-40 MHz  
-12+20\*log(f/80) dB Min @ 40.1-100 MHz
7. Cross Talk: -35 dB Min @ 0.5-40 MHz  
-33+20\*log(f/50) @ 40.1-100 MHz
8. Common Mode Rejection: -30 dB Min @ 0.5-100 MHz
9. Isolation Hipot: 1500VAC 1mA 60S
10. Operating temperature 0°C to +70°C
11. Storage temperature -20°C to +125°C

DESCRIPTION	YX P/N	SPEC NO.	REV: R0
10/100/1000 BASE-TX	SMD4802G		PAGE: 2/3

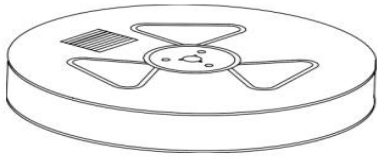
## D. PACKAGE INFORMATION



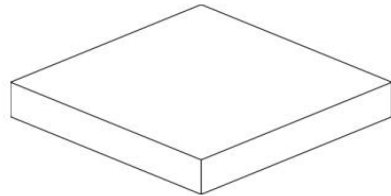
ITEM	W	A0	B0	S0	K1	K0	F	P	P0	P2	D0	D1	E	T
DIM	44.0±0.3	16.0±0.1	28.0±0.10	40.4±0.1	7.4±0.1	7.9±0.1	20.2±0.1	24.0±0.1	4.00±0.1	2.0±0.15	1.50+0.1/-0	2.00+0.1/-0	1.75±0.1	0.4±0.05



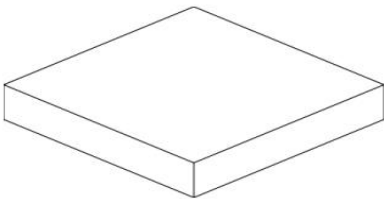
← 包装方向



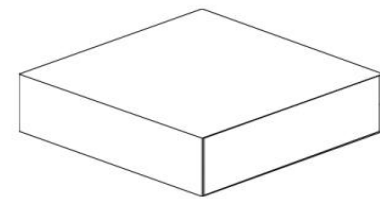
reel



Inner Carton



Inner Carton



Export Carton

Package Quantity

One Reel=350Pcs

One Inner Carton=350\*1=350Pcs

One Export Carton=350\*3=1050Pcs

DESCRIPTION	YX P/N	SPEC NO.	REV: R0
10/100/1000 BASE-TX	SMD4802G		PAGE: 3/3